

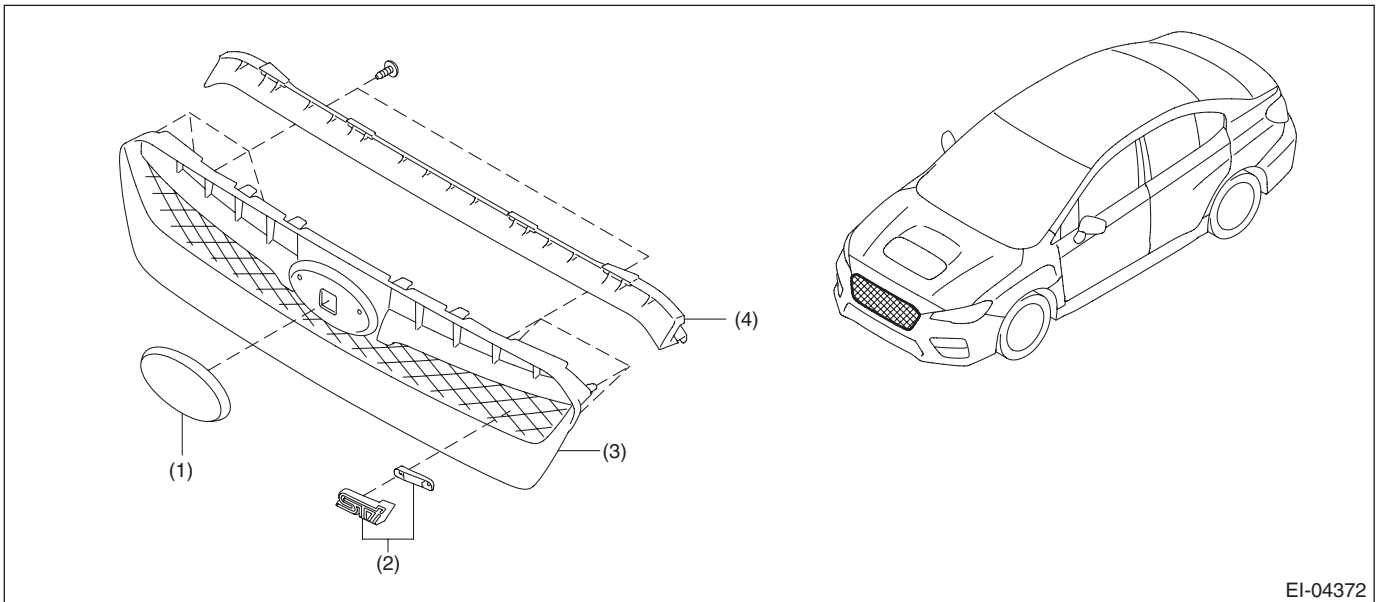
General Description

EXTERIOR/INTERIOR TRIM

1. General Description

A: COMPONENT

1. FRONT GRILLE



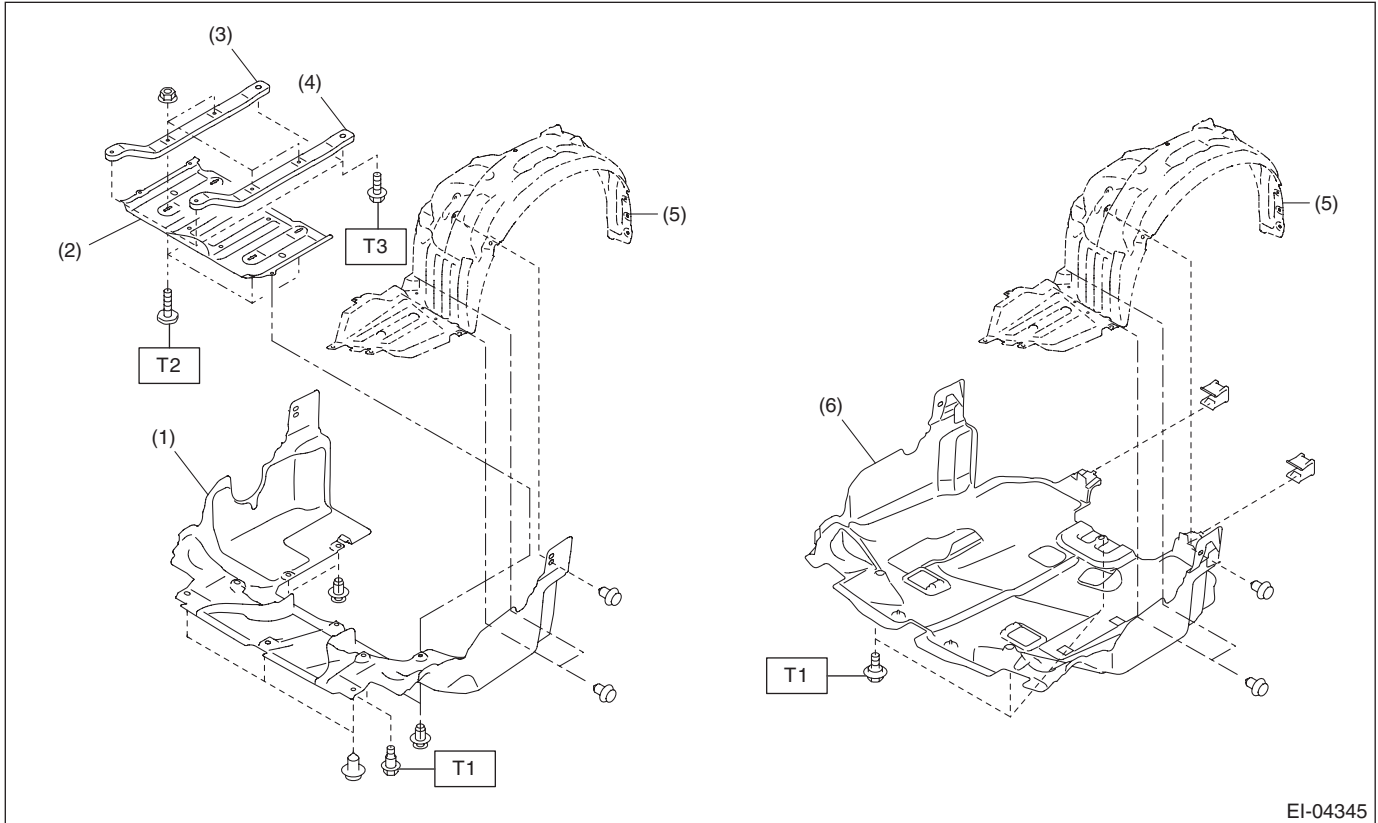
EI-04372

(1) Front grille emblem
(2) Ornament

(3) Front grille ASSY

(4) Spacer grille - front

2. FRONT UNDER COVER



- | | |
|--|---|
| (1) Under cover - front (except for STI model) | (4) Plate - CTR LH (except for STI model) |
| (2) Frame - under cover (except for STI model) | (5) Mud guard - front |
| (3) Plate - CTR RH (except for STI model) | (6) Under cover - front (STI model) |

Tightening torque: N·m (kgf·m, ft·lb)

T1: 18 (1.8, 13.3)

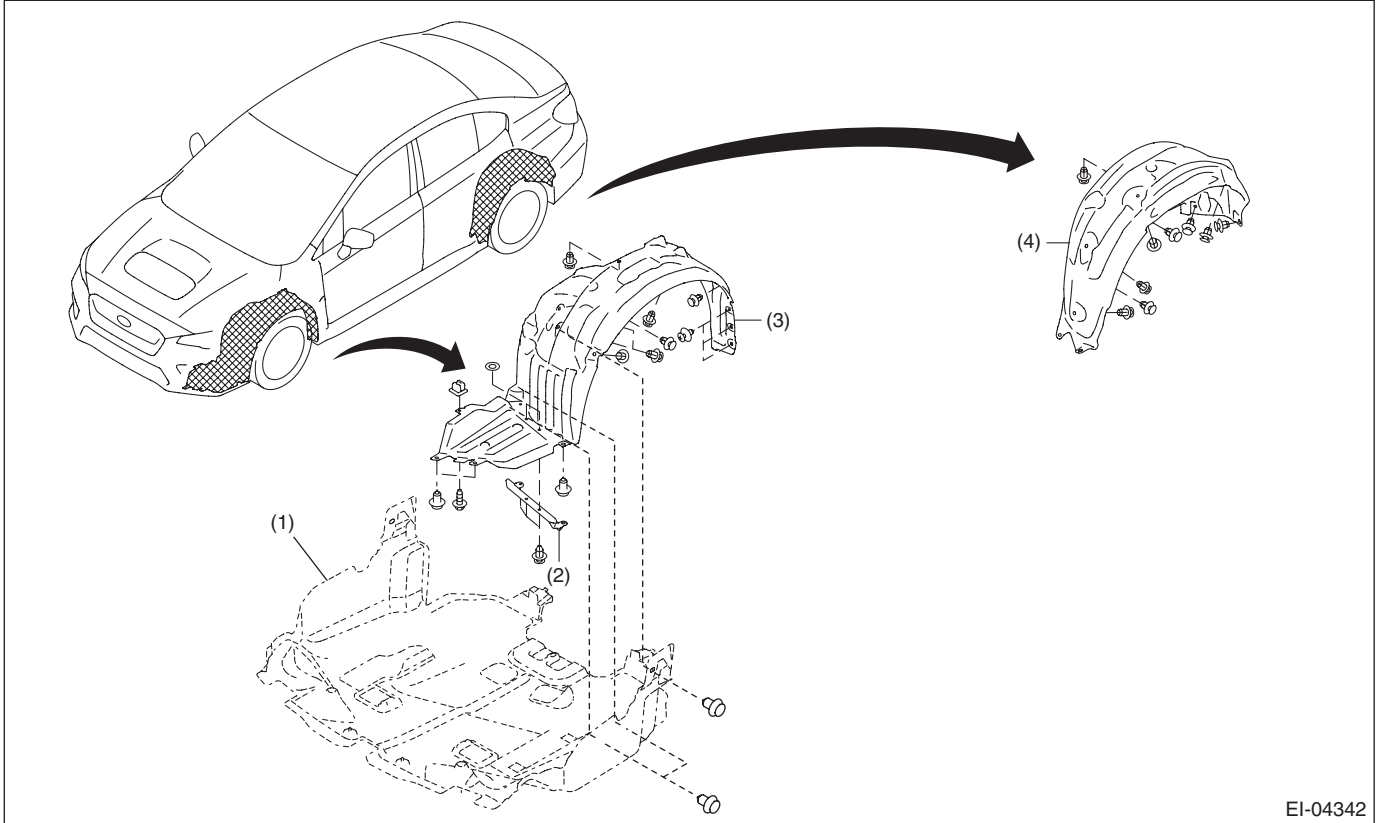
T2: 20 (2.0, 14.8)

T3: 25 (2.5, 18.4)

General Description

EXTERIOR/INTERIOR TRIM

3. MUD GUARD



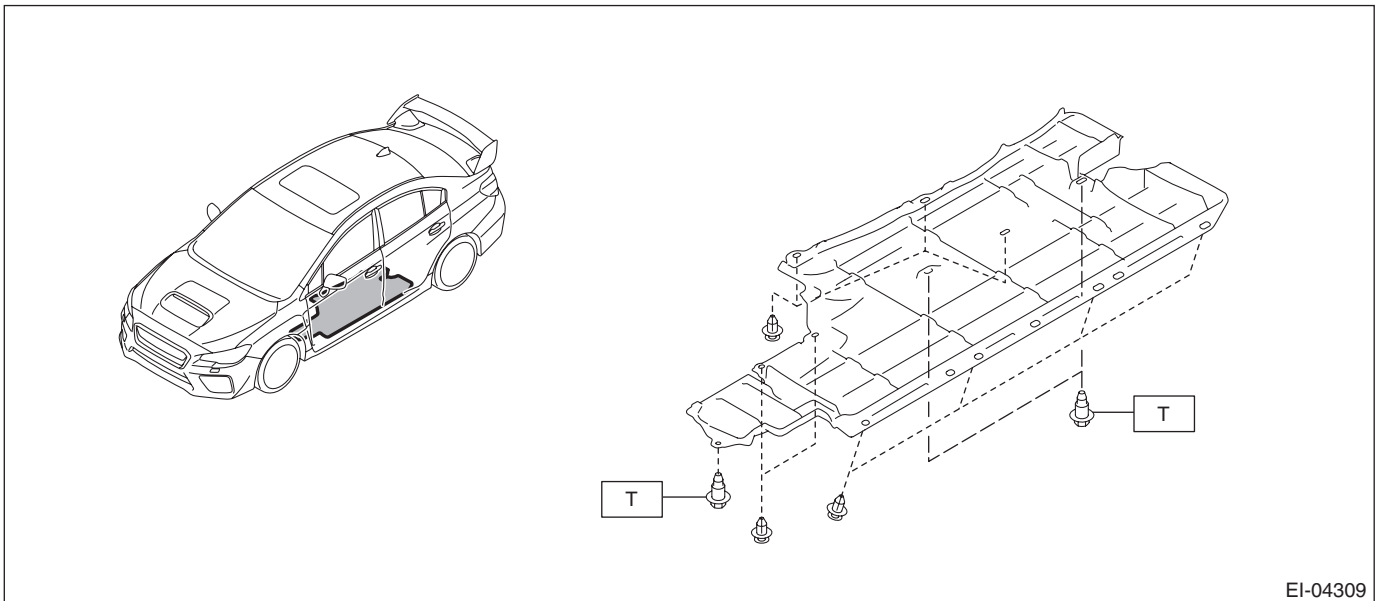
EI-04342

- (1) Under cover - front
- (2) Cover - fender LWR

- (3) Mud guard - front

- (4) Mud guard - rear

4. FLOOR UNDER PROTECTOR



EI-04309

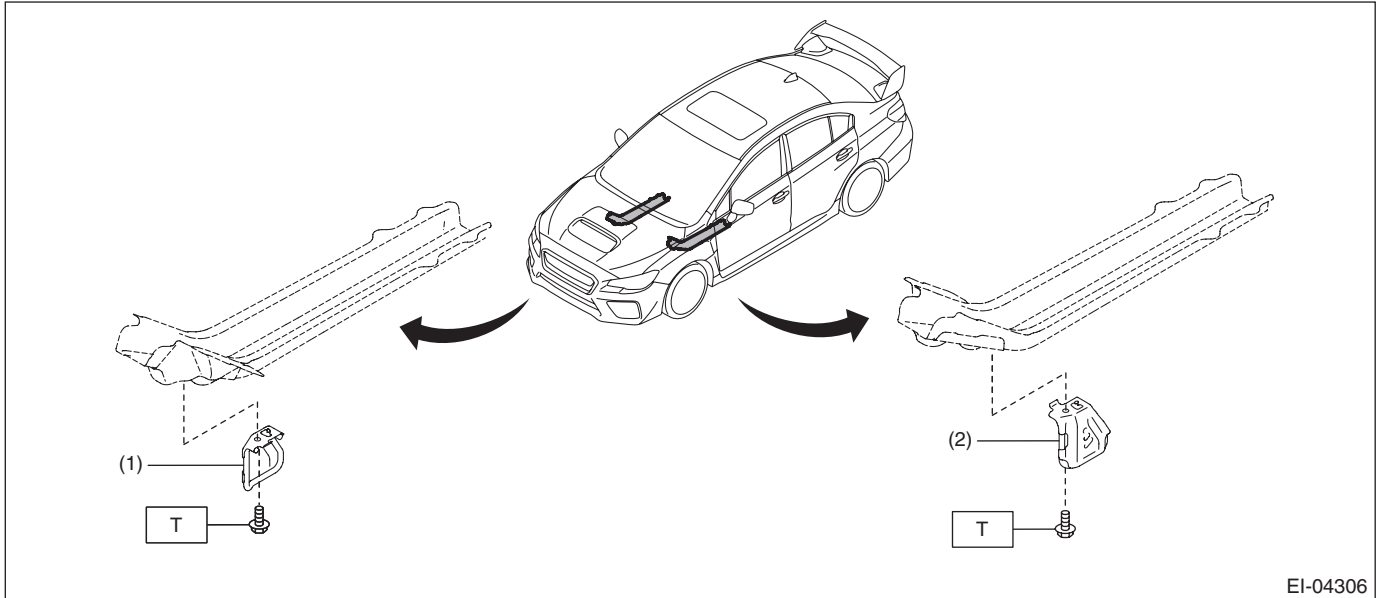
Tightening torque: N·m (kgf·m, ft·lb)
T: 7.5 (0.8, 5.5)

5. FUEL TANK PROTECTOR

For exploded view of the fuel tank protector, refer to “FUEL TANK” of “FUEL INJECTION” section.

- STI model: <Ref. to FU(STI)-66, REMOVAL, Fuel Tank Protector.>
- Except for STI model: <Ref. to FU(w/o STI)-151, REMOVAL, Fuel Tank Protector.>

6. PROTECTOR OIL COVER



(1) Protector oil cover RH (CVT model)

(2) Protector oil cover LH (CVT model)

Tightening torque: N·m (kgf·m, ft·lb)

T: 100 (10.2, 73.8)

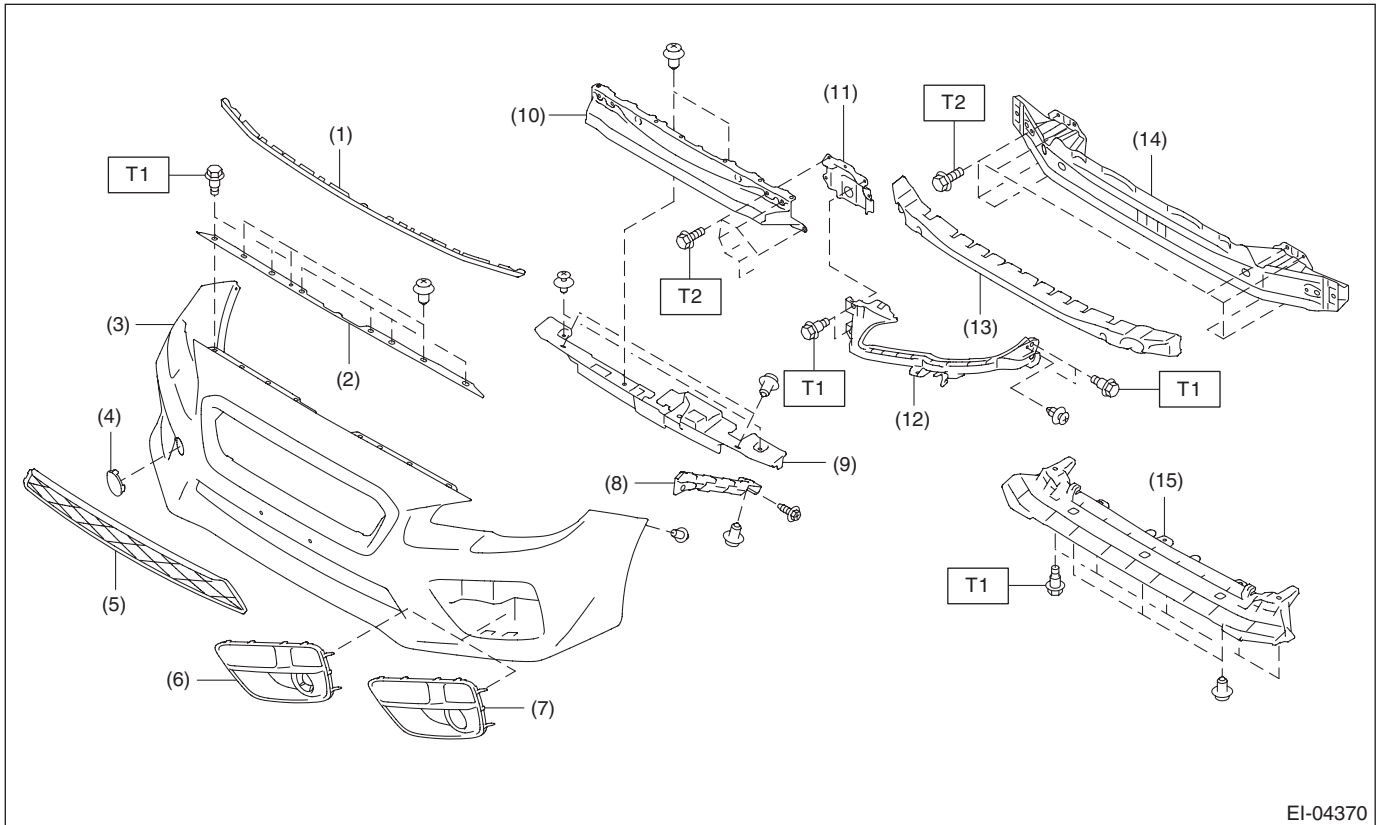
7. FRONT HOOD GRILLE

For exploded view of the front hood grille, refer to “Diesel engine model” in “FRONT HOOD” of “EXTERIOR BODY PANELS” section. <Ref. to EB-2, FRONT HOOD, COMPONENT, General Description.>

General Description

EXTERIOR/INTERIOR TRIM

8. FRONT BUMPER



EI-04370

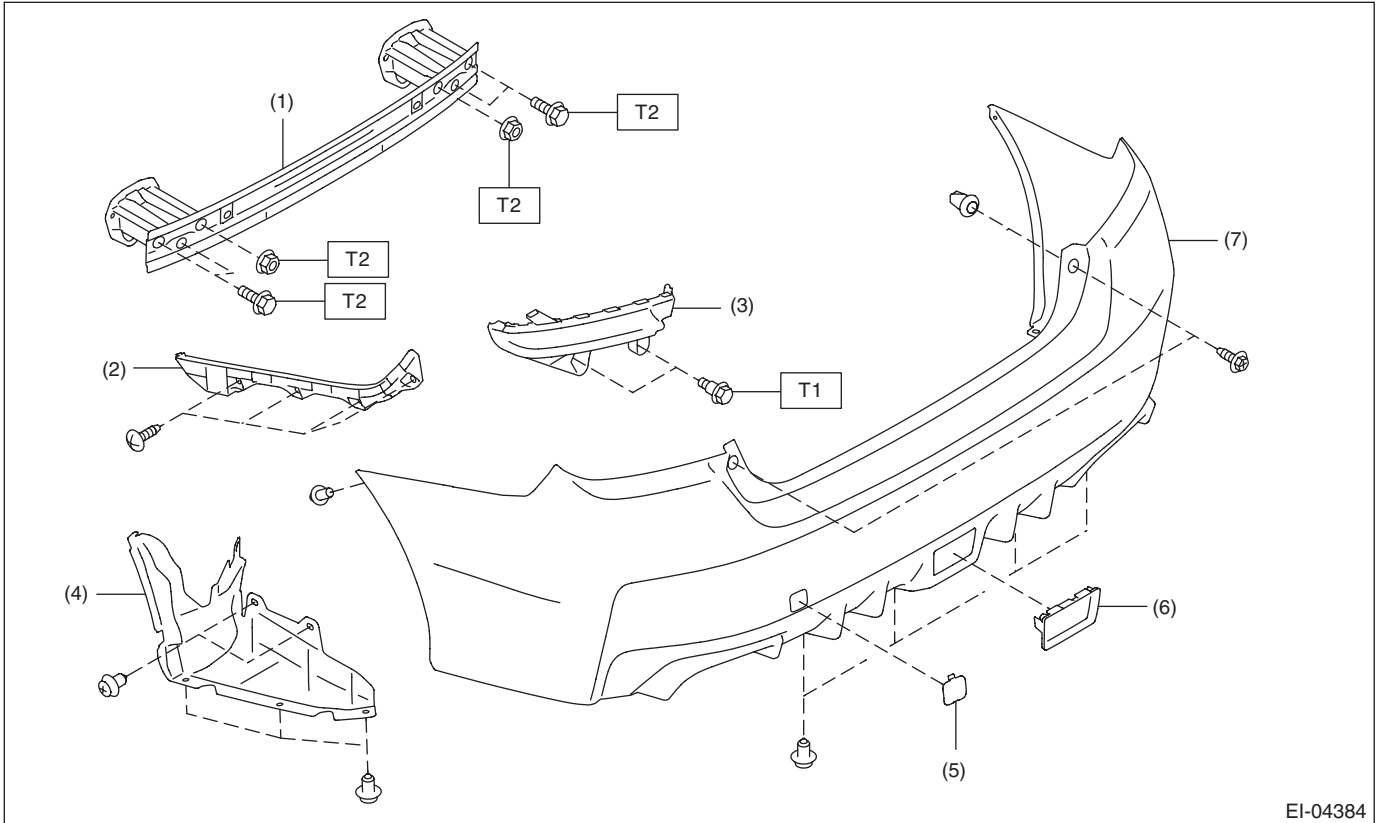
- | | | |
|---|------------------------------------|-----------------------------------|
| (1) Sealing bumper - front | (8) Bracket - front bumper side | (15) Bracket center lower - front |
| (2) Plate UPR - front | (9) Cover UPR - front | |
| (3) Bumper face - front | (10) Energy absorber plate - front | |
| (4) Cover hook - front | (11) Bracket UPR - COMPL | |
| (5) Cover intake - front | (12) Bracket - front bumper corner | |
| (6) Cover - fog light (model without fog light) | (13) Energy absorber foam | |
| (7) Cover - fog light (model with fog light) | (14) Bumper beam COMPL - front | |

Tightening torque: N-m (kgf-m, ft-lb)

T1: 7.5 (0.8, 5.5)

T2: 32 (3.3, 23.6)

9. REAR BUMPER



EI-04384

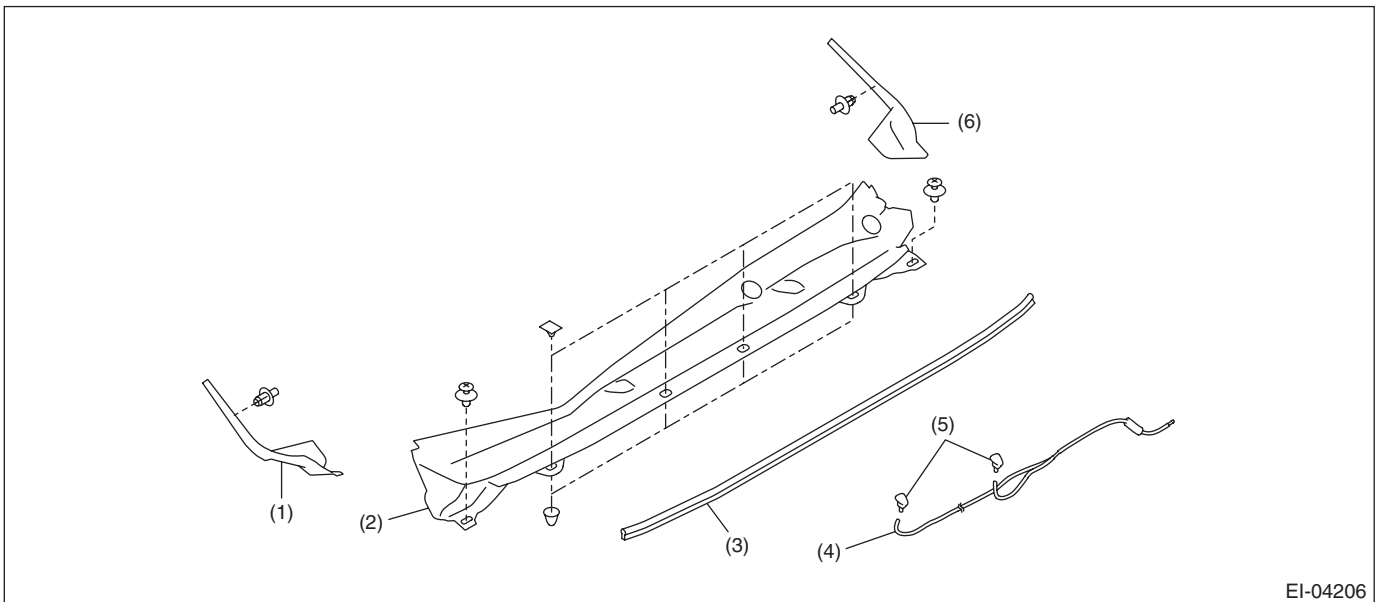
- | | |
|----------------------------------|---------------------------|
| (1) Bumper beam COMPL - rear | (5) Cover - rear bumper A |
| (2) Bracket - rear bumper side | (6) Cover - rear bumper B |
| (3) Bracket - rear bumper corner | (7) Bumper face - rear |
| (4) Cover - rear bumper side | |

Tightening torque: N·m (kgf·m, ft·lb)

T1: 7.5 (0.8, 5.5)

T2: 70 (7.1, 51.6)

10. COWL PANEL



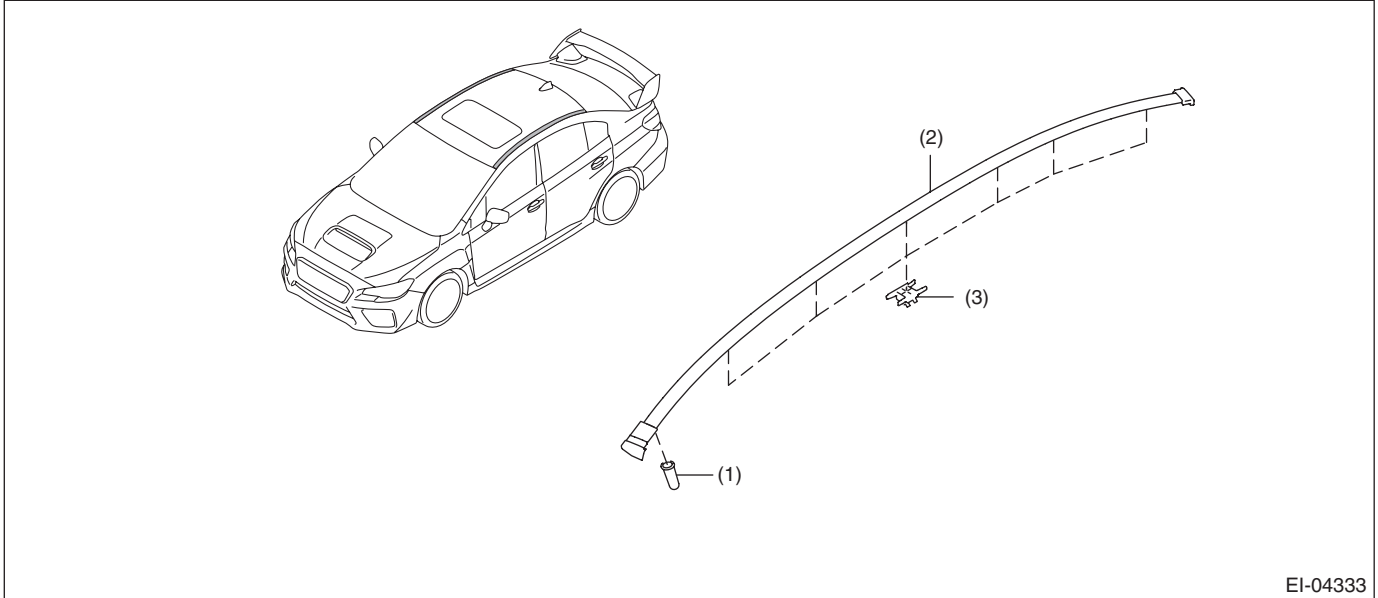
EI-04206

- | | | |
|--------------------------|------------------------------|--------------------------------|
| (1) Cowl panel - side RH | (3) Seal - cowl panel | (5) Nozzle - windshield washer |
| (2) Cowl panel ASSY | (4) Hose - windshield washer | (6) Cowl panel - side LH |

General Description

EXTERIOR/INTERIOR TRIM

11. ROOF MOLDING



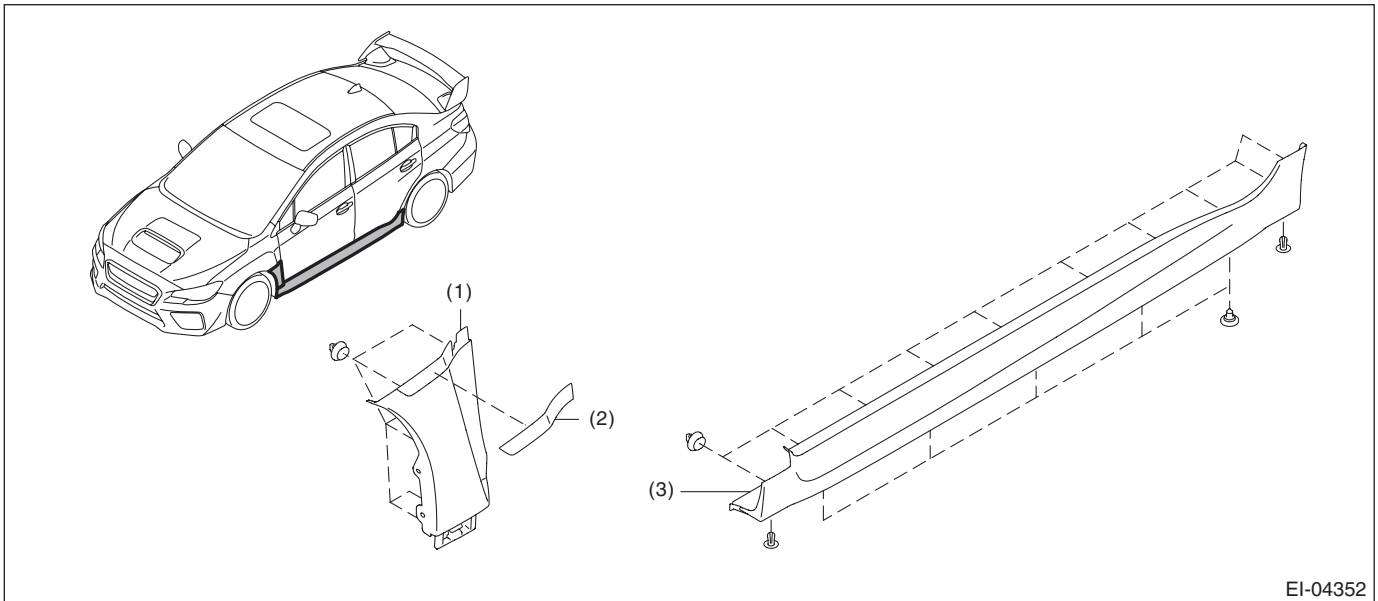
EI-04333

(1) Rivet

(2) Molding - roof

(3) Fastener

12. SIDE GARNISH



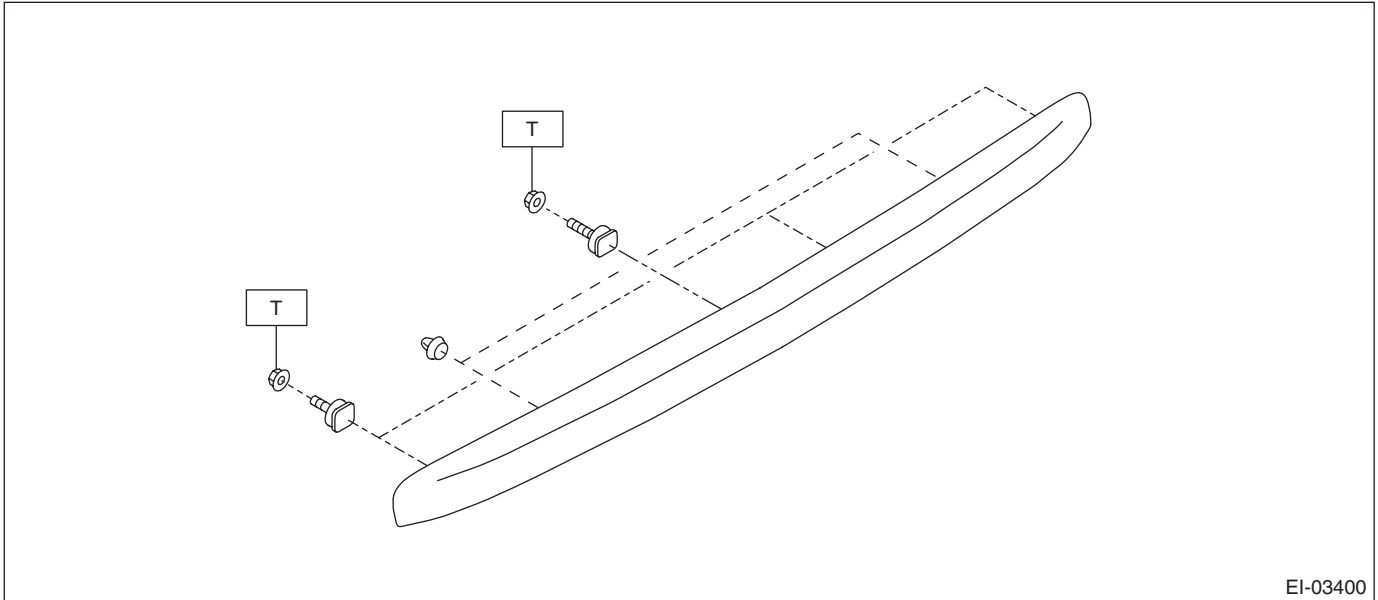
EI-04352

(1) Garnish ASSY - fender

(2) Molding

(3) Spoiler ASSY - side

13. TRUNK LID GARNISH

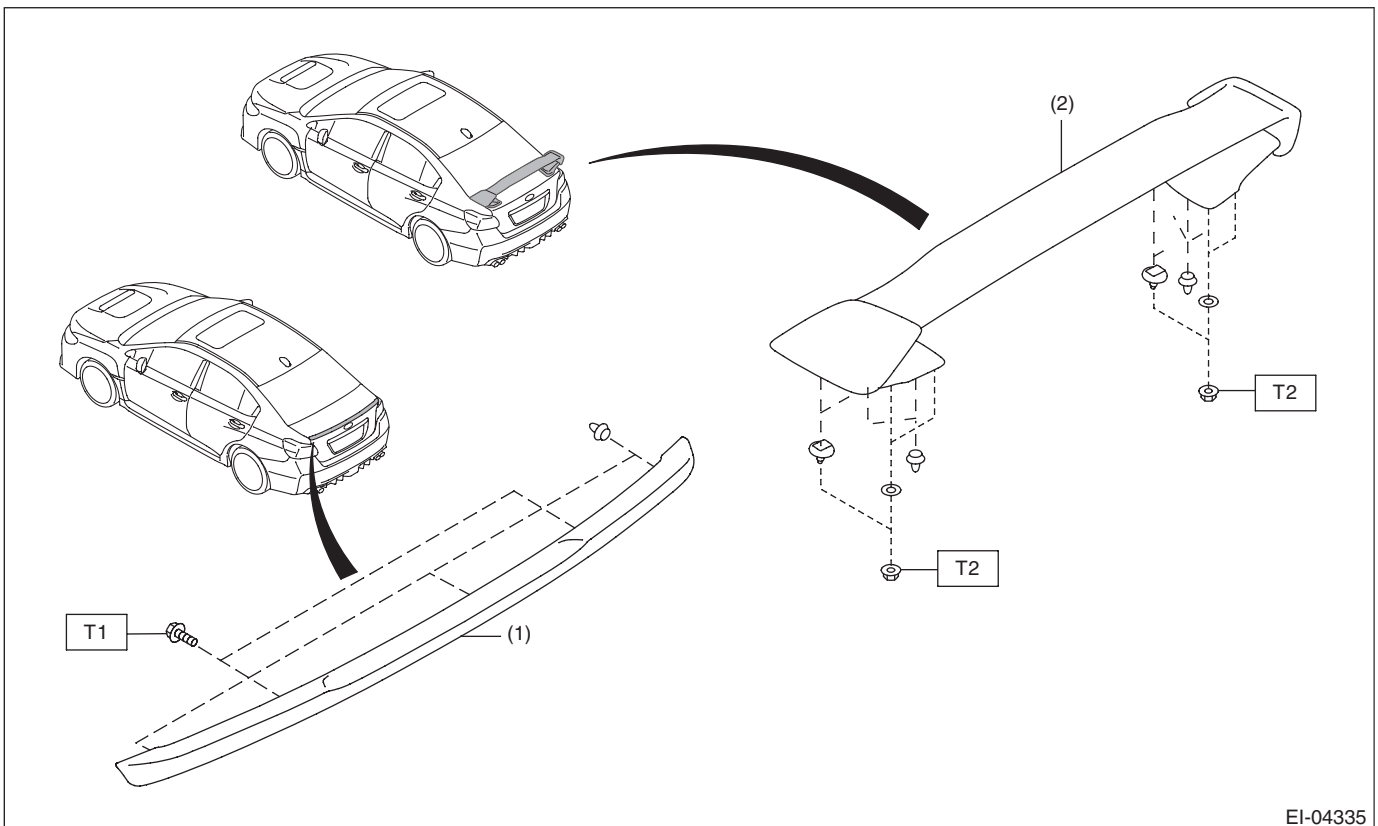


EI-03400

Tightening torque: N·m (kgf·m, ft·lb)

T: 4.5 (0.5, 3.3)

14. REAR SPOILER



EI-04335

(1) Rear spoiler (small type)

(2) Rear spoiler (large type)

Tightening torque: N·m (kgf·m, ft·lb)

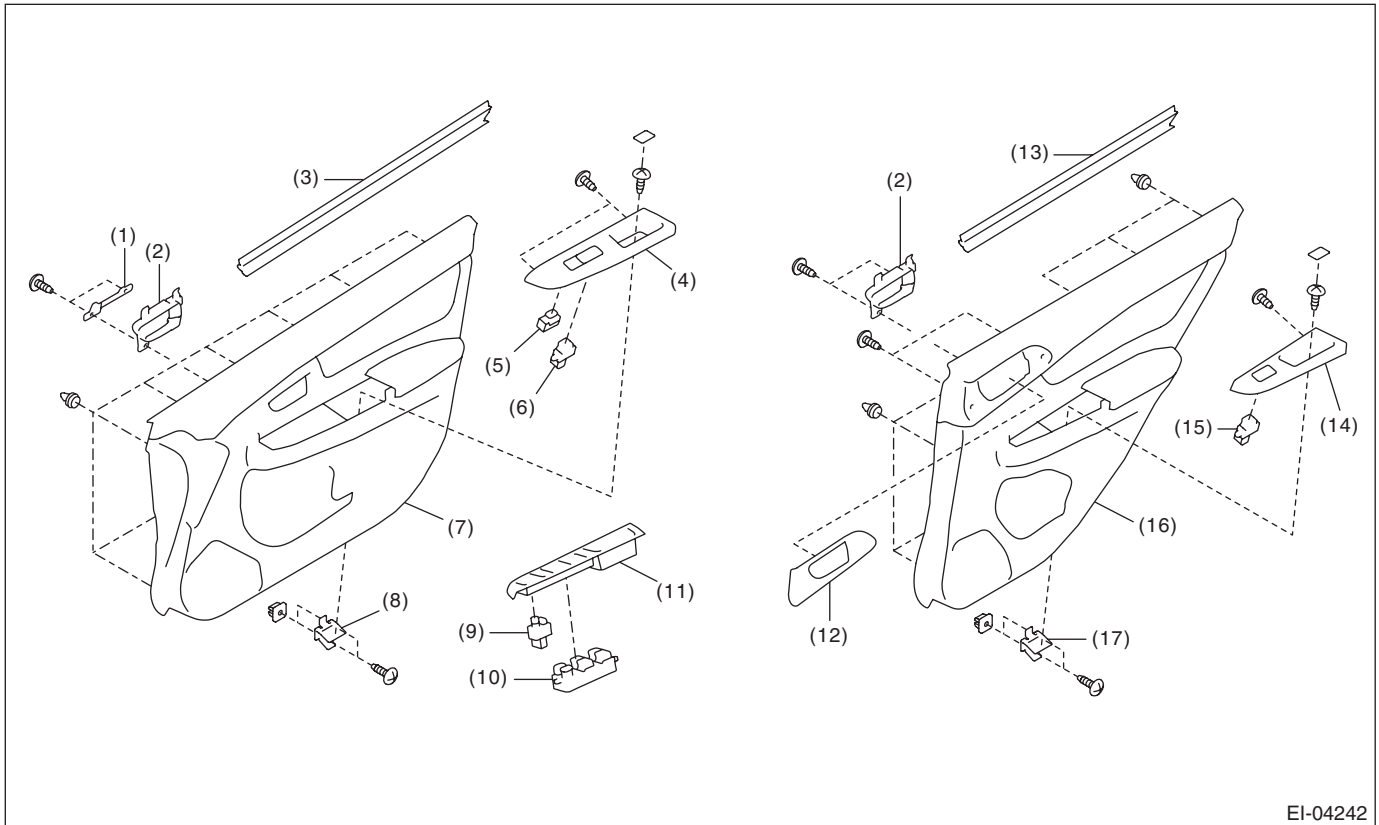
T1: 4.5 (0.5, 3.3)

T2: 7.5 (0.8, 5.5)

General Description

EXTERIOR/INTERIOR TRIM

15.DOOR TRIM

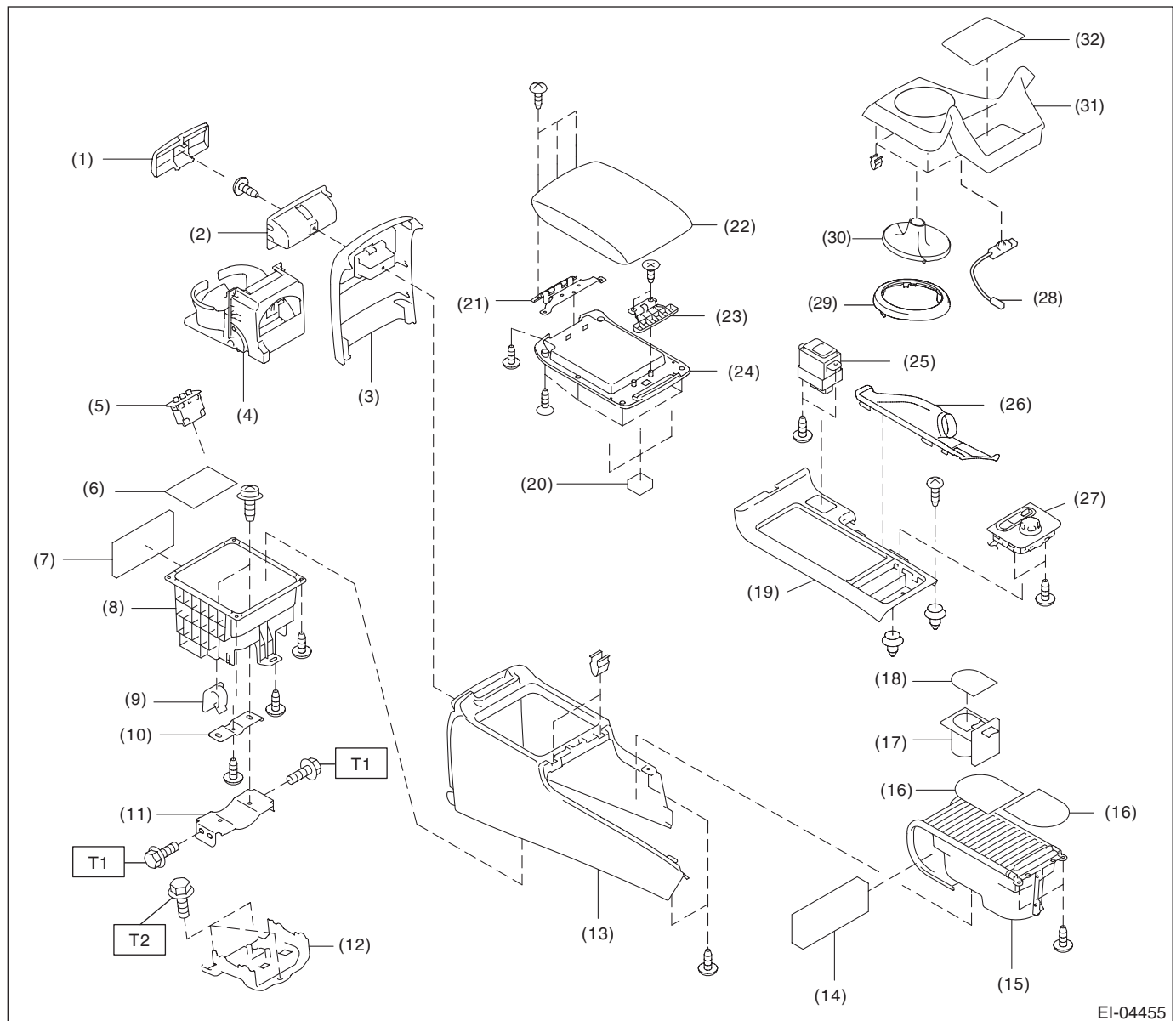


EI-04242

- | | | |
|---|---------------------------------------|---|
| (1) Plate | (7) Trim panel - front door | (13) Weather strip - door rear INN |
| (2) Remote ASSY - door | (8) Bracket - door trim front | (14) Panel - power window sub-switch rear |
| (3) Weather strip - door front INN | (9) Switch - door mirror | (15) Switch - power window sub rear |
| (4) Panel - power window sub-switch front | (10) Switch - power window main | (16) Trim panel - rear door |
| (5) Switch - door lock sub | (11) Panel - power window main switch | (17) Bracket - door trim rear |
| (6) Switch - power window sub front | (12) Cover - remote rear door | |

16. CONSOLE BOX

- STI model



- | | | |
|-----------------------------|-----------------------------|-------------------------------|
| (1) End cap - console box | (13) Console box outer | (25) Switch - seat heater |
| (2) Cap - console box | (14) Pad - console | (26) Boot - parking brake |
| (3) End cover - console box | (15) Cup holder ASSY | (27) Switch - SI-DRIVE |
| (4) Rear - cup holder | (16) Mat - cup holder ASSY | (28) Antenna - interior front |
| (5) AUX input terminal | (17) Case - cup holder ASSY | (29) Ring cover - front |
| (6) Mat - console pocket | (18) Mat - cup holder ASSY | (30) Boot - shift lever |
| (7) Cushion - console | (19) Console cover | (31) Cover front |
| (8) Pocket - console | (20) Cushion lid lower | (32) Mat |
| (9) Clamp | (21) Hinge - COMPL | |
| (10) Bracket - console A | (22) Lid - COMPL | |
| (11) Bracket - console A | (23) Lock - console | |
| (12) Bracket - console box | (24) Lid lower | |

Tightening torque: N-m (kgf-m, ft-lb)

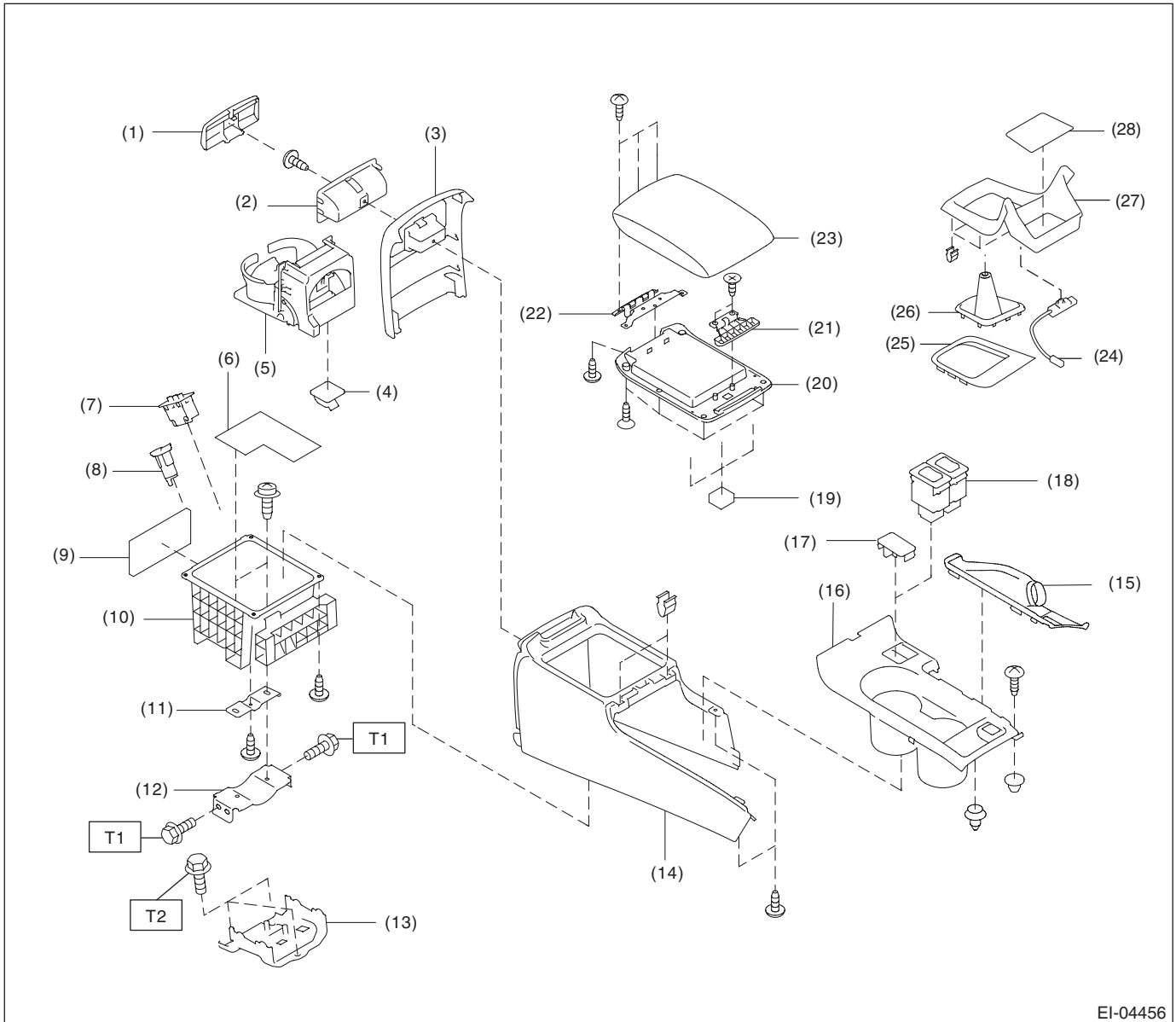
T1: 6.5 (0.7, 4.8)

T2: 18 (1.8, 13.3)

General Description

EXTERIOR/INTERIOR TRIM

- Except for STI model



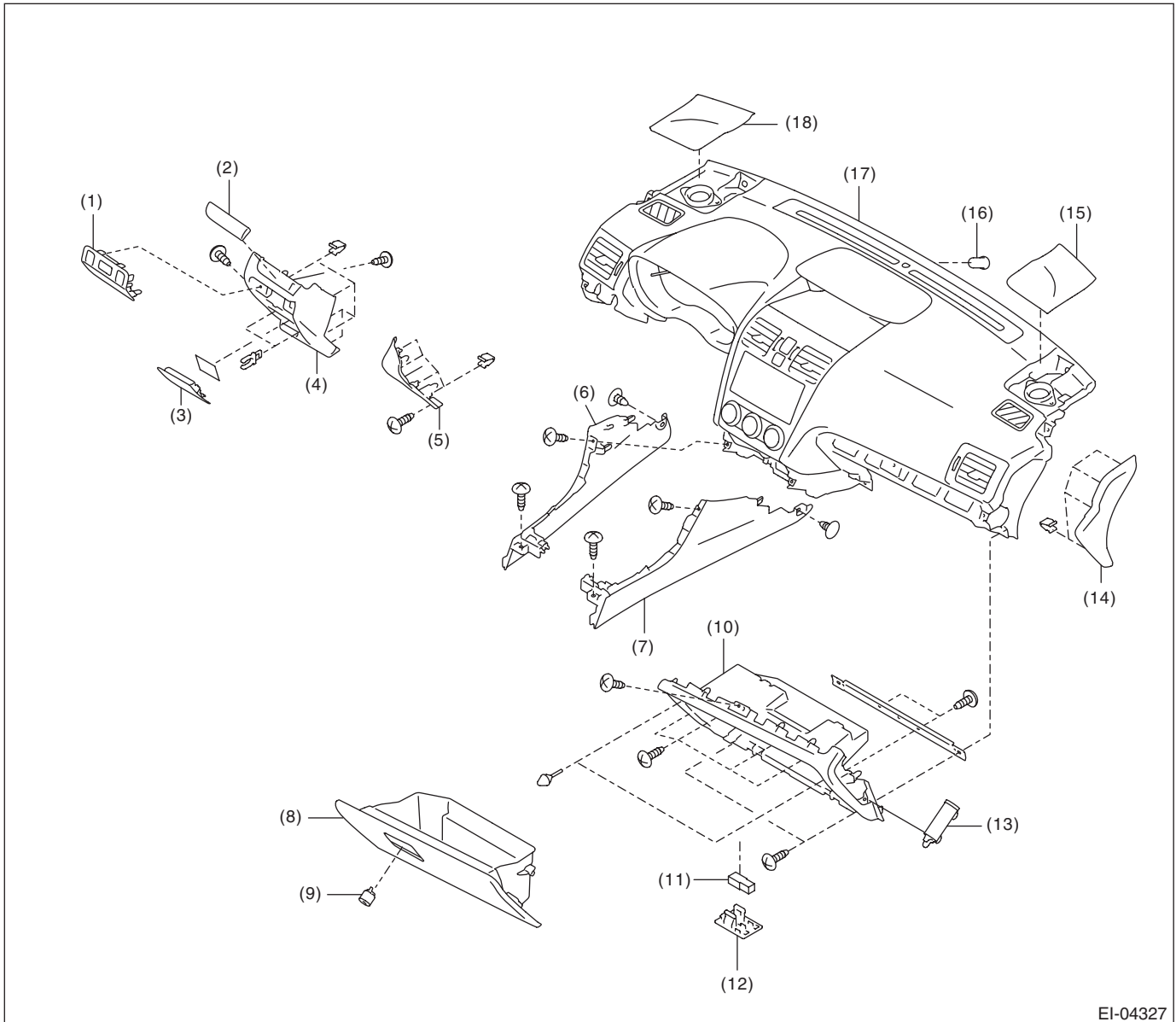
- | | | |
|-----------------------------------|----------------------------|-------------------------------|
| (1) End cap - console box | (12) Bracket - console B | (23) Lid - COMPL |
| (2) Cap - console box | (13) Bracket - console box | (24) Antenna - interior front |
| (3) End cover - console box | (14) Console box outer | (25) Ring cover - front |
| (4) Clamp | (15) Boot - parking brake | (26) Boot - shift lever |
| (5) Rear - cup holder | (16) Console cover | (27) Cover front |
| (6) Mat - console pocket | (17) Cap | (28) Mat |
| (7) AUX input terminal | (18) Switch - seat heater | |
| (8) Accessory power supply socket | (19) Cushion lid lower | |
| (9) Cushion - console | (20) Lid lower | |
| (10) Pocket - console | (21) Lock - console | |
| (11) Bracket - console A | (22) Hinge - COMPL | |

Tightening torque: N·m (kgf·m, ft·lb)

T1: 6.5 (0.7, 4.8)

T2: 18 (1.8, 13.3)

17. INSTRUMENT PANEL

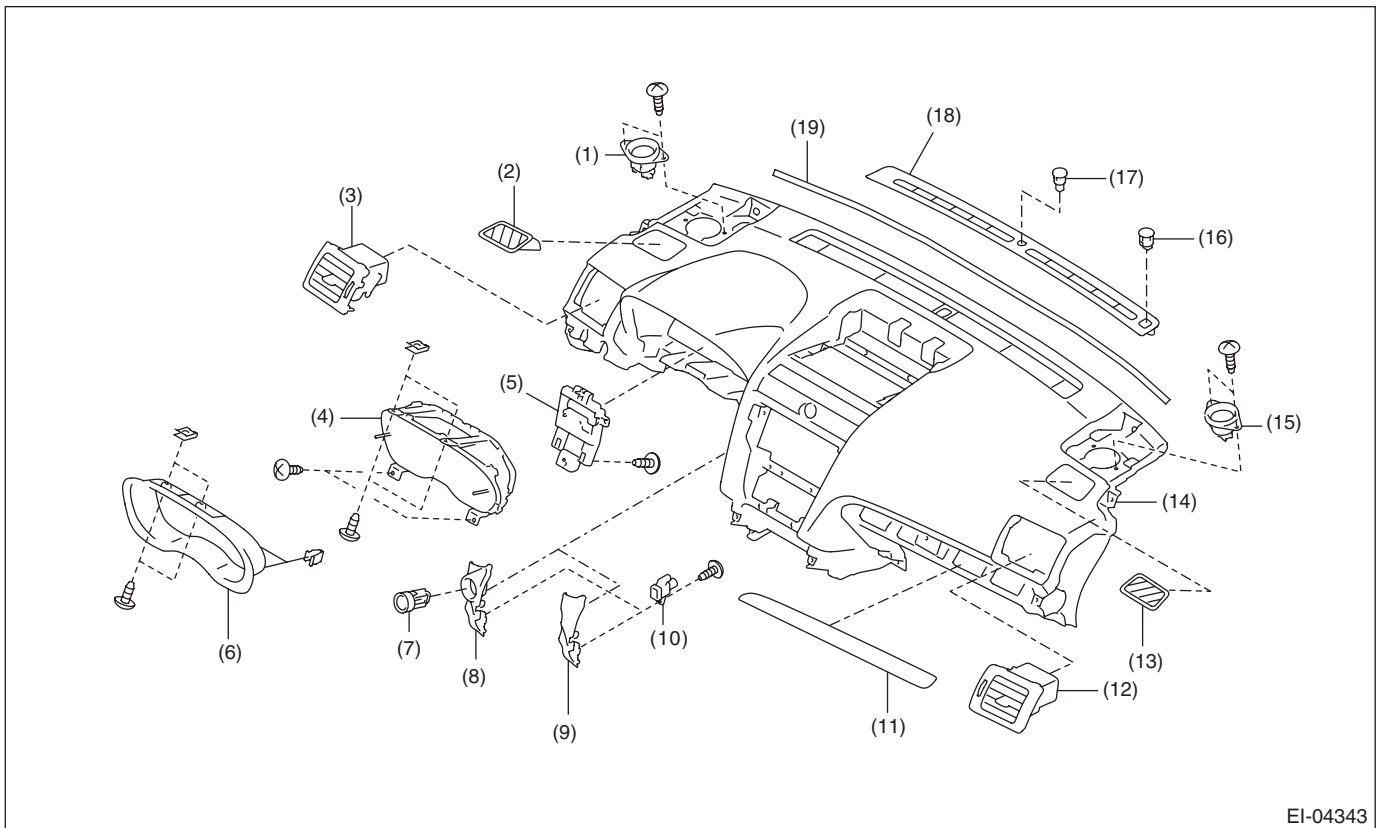


EI-04327

- | | | |
|--|---------------------------|---------------------------------------|
| (1) Panel - switch | (7) Panel center LWR RH | (13) Damper COMPL - pocket |
| (2) Ornament - panel ASSY driver | (8) Pocket ASSY | (14) Cover - instrument panel side RH |
| (3) Lid ASSY - fuse box | (9) Key cylinder - pocket | (15) Grille speaker side RH |
| (4) Cover ASSY - instrument panel LWR driver OUT | (10) Back panel - pocket | (16) Cap - guide pin |
| (5) Cover ASSY - instrument panel LWR driver INN | (11) Light - pocket | (17) Panel COMPL - instrument |
| (6) Panel center LWR LH | (12) Holder | (18) Grille speaker side LH |

General Description

EXTERIOR/INTERIOR TRIM

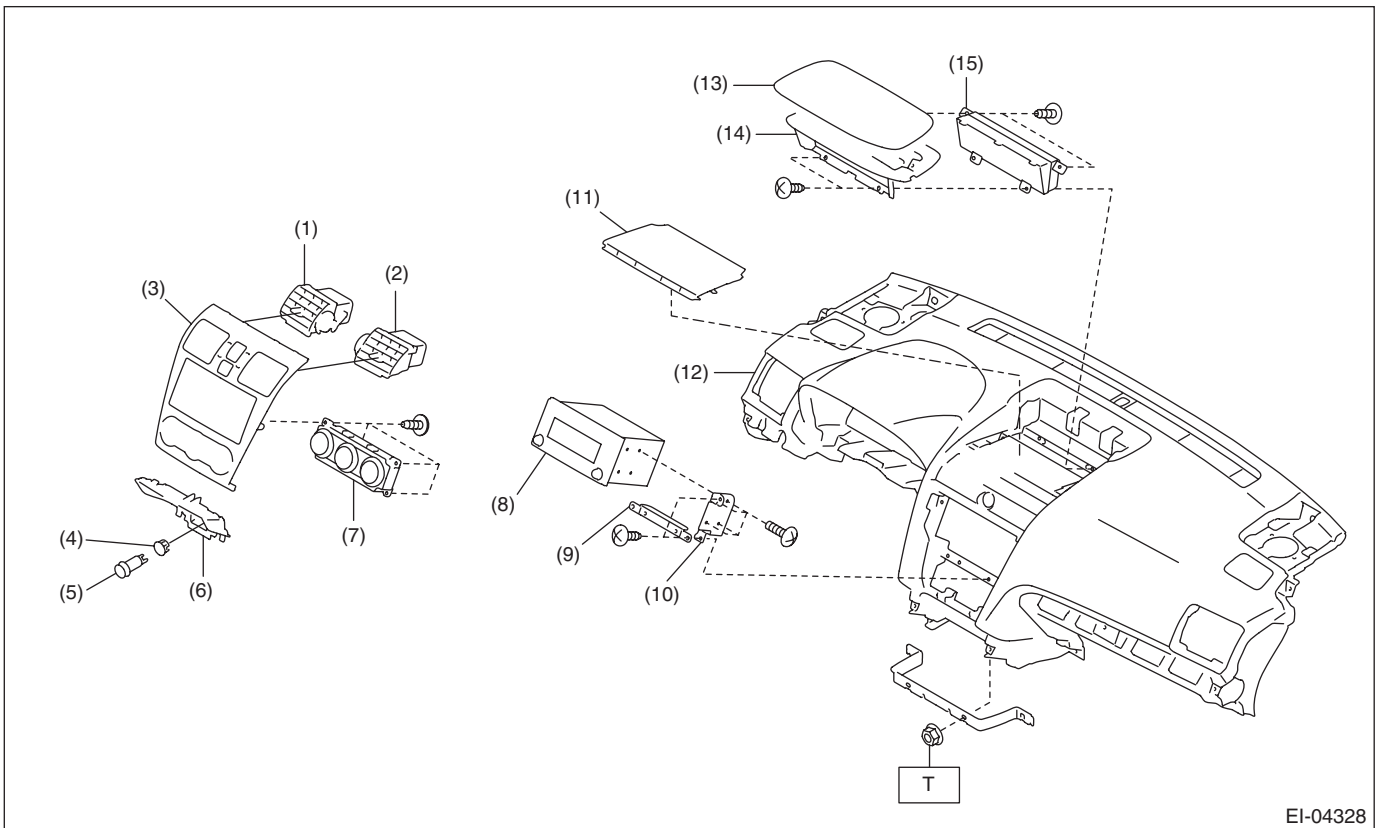


EI-04343

- | | | |
|---------------------------------------|--------------------------------------|--------------------------------|
| (1) Speaker ASSY - tweeter LH | (8) Panel - switch | (15) Speaker ASSY - tweeter RH |
| (2) Grille defroster - front LH | (9) Cover - switch starter | (16) Sensor - rain |
| (3) Grille ASSY - ventilation LH | (10) Case - sensor | (17) Sensor - sunload |
| (4) Combination meter ASSY | (11) Ornament - panel ASSY passenger | (18) Grille front defroster |
| (5) Reinforcement - combination meter | (12) Grille ASSY - ventilation RH | (19) Cushion |
| (6) Visor - combination meter | (13) Grille defroster - front RH | |
| (7) Switch - push button start | (14) Panel COMPL - instrument | |

General Description

EXTERIOR/INTERIOR TRIM



EI-04328

- (1) Grille ASSY - CTR ventilation LH
- (2) Grille ASSY - CTR ventilation RH
- (3) Panel center ASSY
- (4) Cap
- (5) Socket ASSY
- (6) Back panel - center pocket

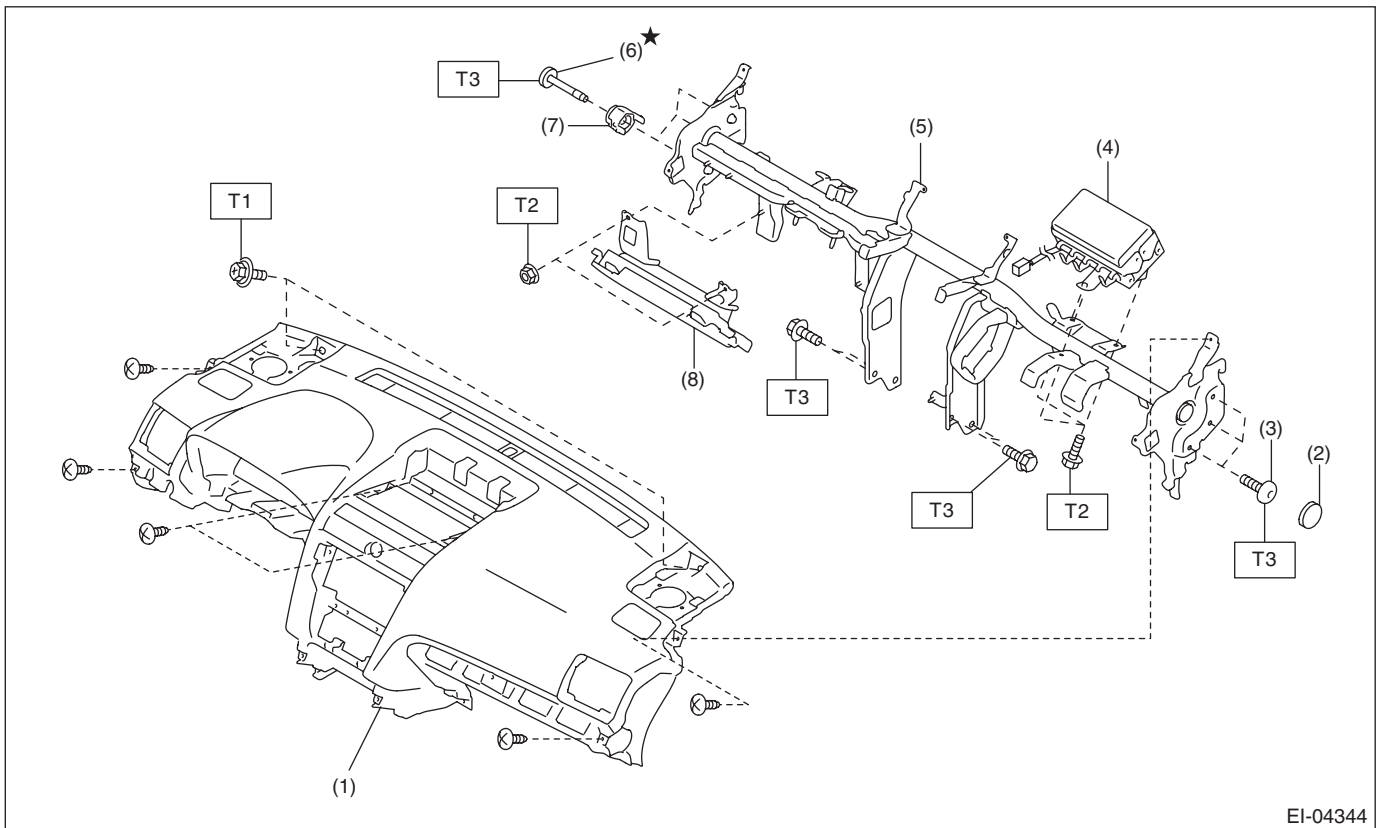
- (7) Heater control ASSY
- (8) Audio ASSY/Navigation ASSY
- (9) Bracket - radio
- (10) Bracket - audio
- (11) Cover center UPR
- (12) Panel COMPL - instrument

- (13) Panel - display UPR
- (14) Panel - display LWR
- (15) Multi-function display ASSY

Tightening torque: N-m (kgf-m, ft-lb)
T: 7 (0.7, 5.2)

General Description

EXTERIOR/INTERIOR TRIM



EI-04344

- | | |
|-------------------------------|---------------------------|
| (1) Panel COMPL - instrument | (5) Beam COMPL - steering |
| (2) Cap - bolt | (6) TORX® bolt (M8 × 57) |
| (3) TORX® bolt (M8 × 37) | (7) Adjuster - clip space |
| (4) Passenger's airbag module | (8) Knee airbag module |

Tightening torque: N-m (kgf-m, ft-lb)

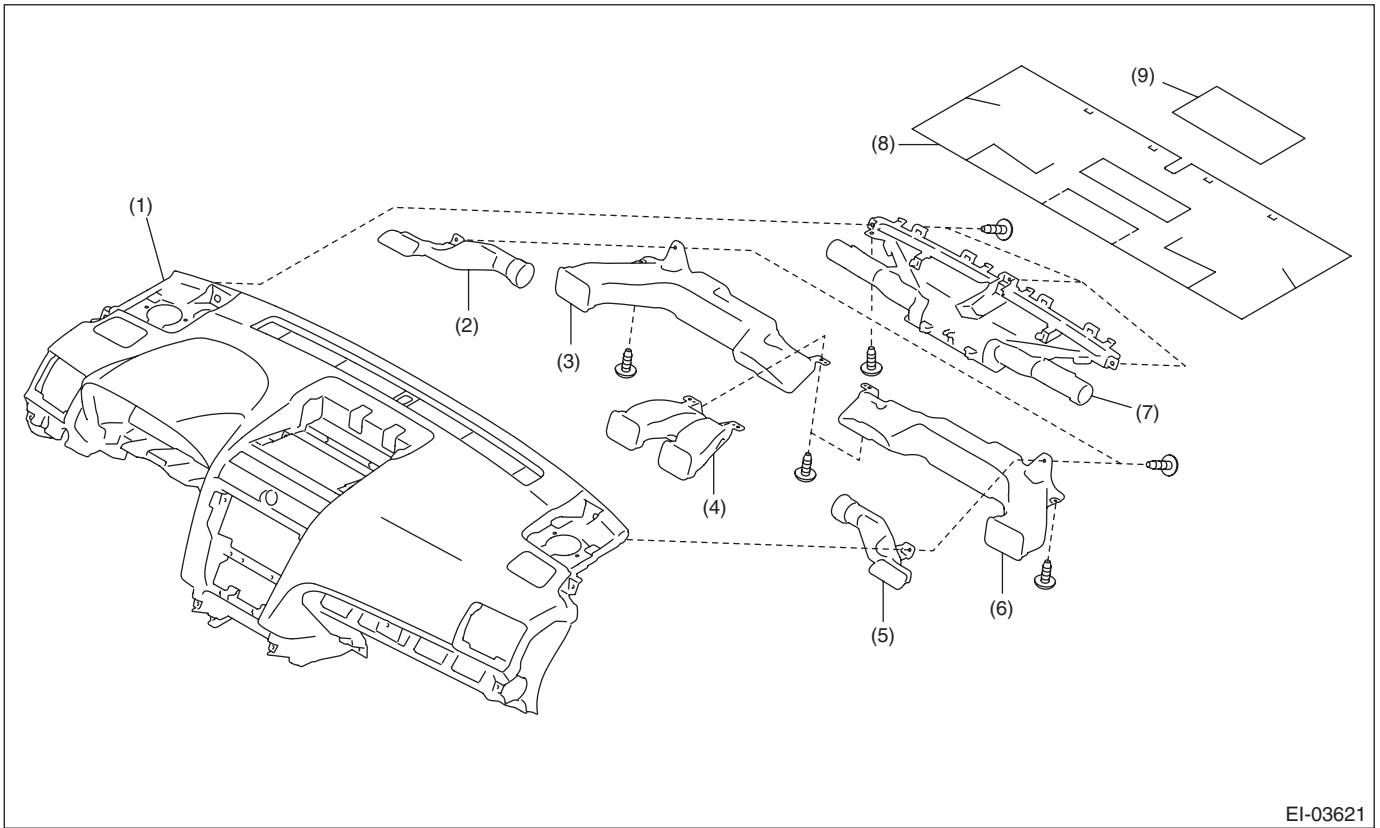
T1: 7 (0.7, 5.2)

T2: 7.5 (0.8, 5.5)

T3: 25 (2.5, 18.4)

General Description

EXTERIOR/INTERIOR TRIM



EI-03621

- (1) Panel COMPL - instrument
- (2) Duct - side defroster LH
- (3) Duct - side ventilation LH

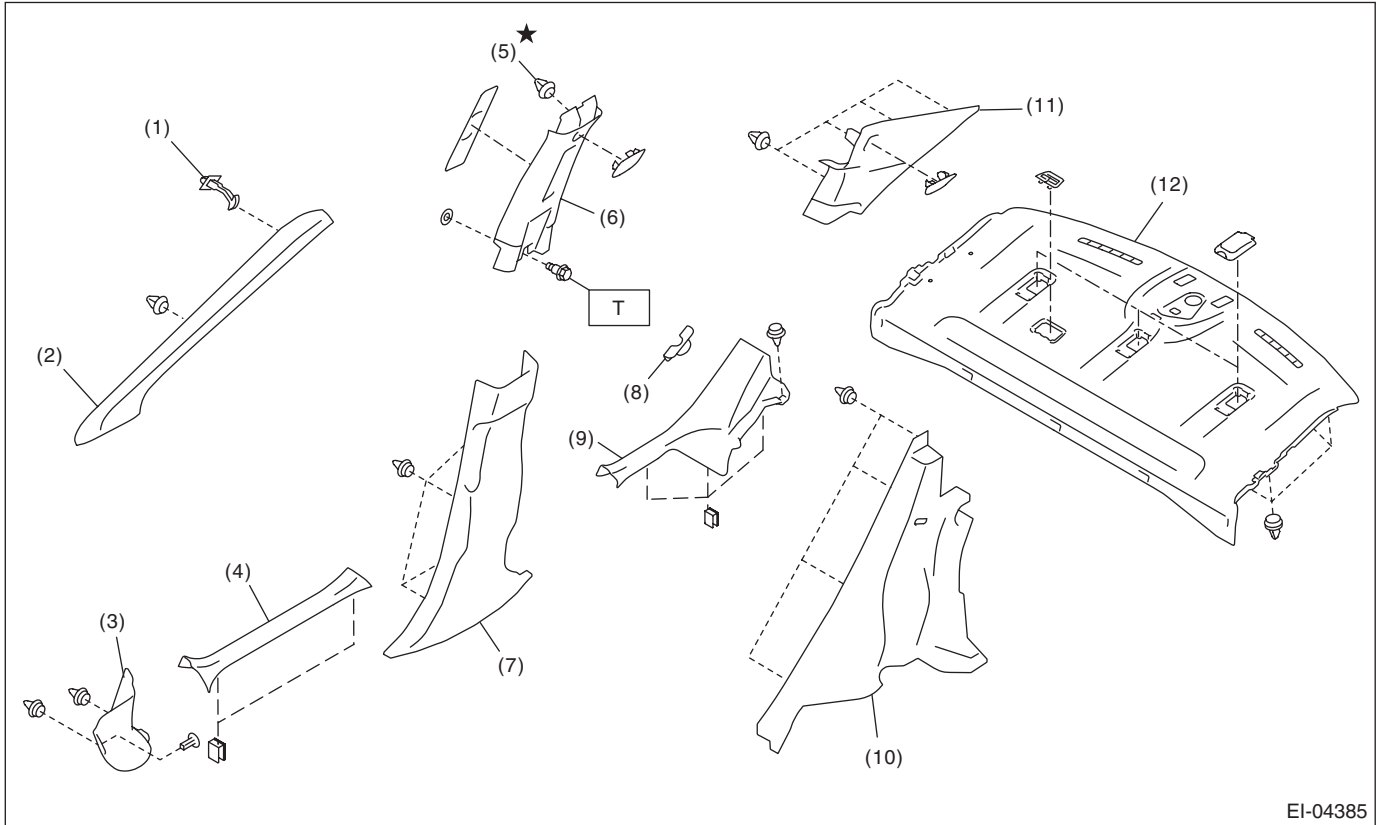
- (4) Duct - center vent
- (5) Duct - side defroster RH
- (6) Duct - side ventilation RH

- (7) Nozzle - front defroster
- (8) Insulator - instrument
- (9) Insulator - airbag

General Description

EXTERIOR/INTERIOR TRIM

18.INNER TRIM



EI-04385

- (1) Tether clip
- (2) Trim panel - front pillar UPR
- (3) Cover side sill - front
- (4) Cover side sill - front INN
- (5) Clip

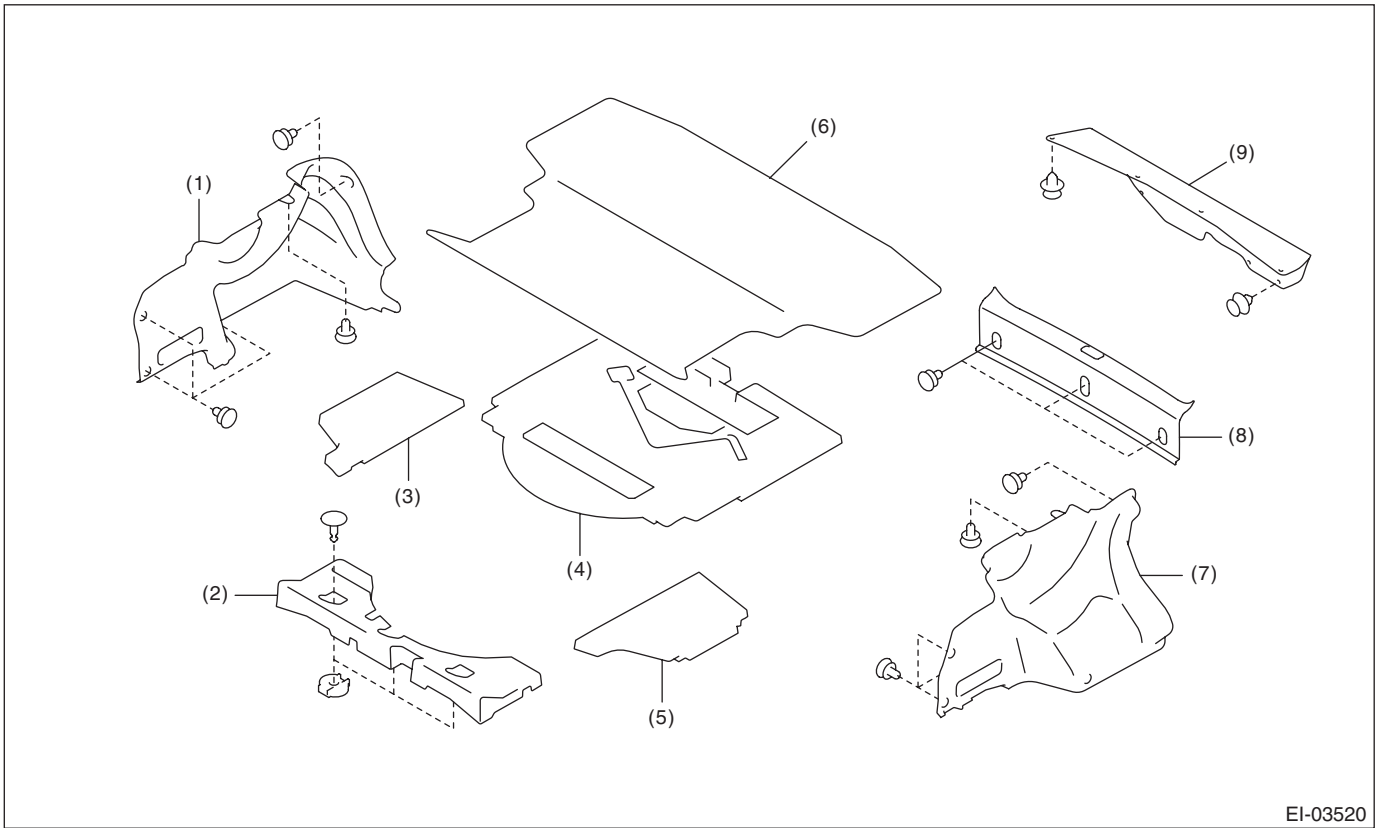
- (6) Trim panel - center pillar UPR
- (7) Trim panel - center pillar LWR
- (8) Cover - catcher
- (9) Cover side sill - rear INN
- (10) Trim panel - rear pillar LWR

- (11) Trim panel - rear pillar UPR
- (12) Trim panel ASSY - rear shelf

Tightening torque: N·m (kgf·m, ft·lb)
T: 7.5 (0.8, 5.5)

General Description

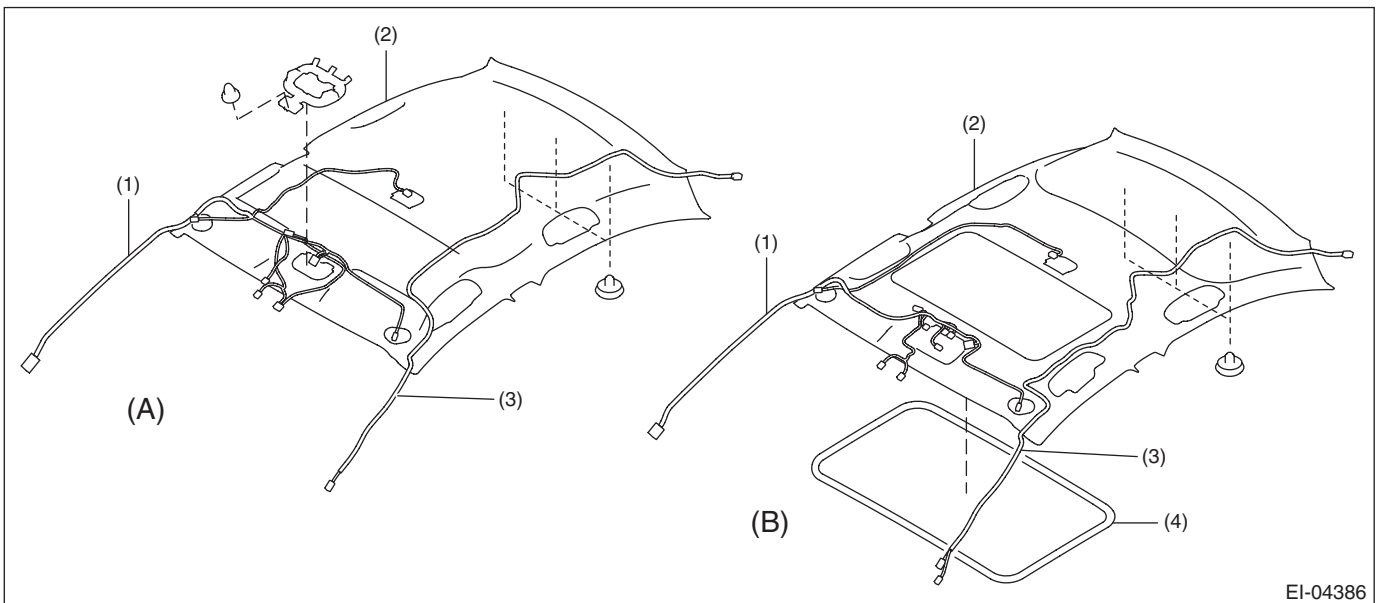
EXTERIOR/INTERIOR TRIM



EI-03520

- | | | |
|---------------------------------|---------------------------------|--------------------------------|
| (1) Trim panel - trunk side RH | (4) Sub-trunk ASSY | (7) Trim panel - trunk side LH |
| (2) Spacer - rear floor front | (5) Spacer - rear floor side LH | (8) Trim panel - trunk rear |
| (3) Spacer - rear floor side RH | (6) Mat - trunk | (9) Trim panel - trunk lid |

19. ROOF TRIM



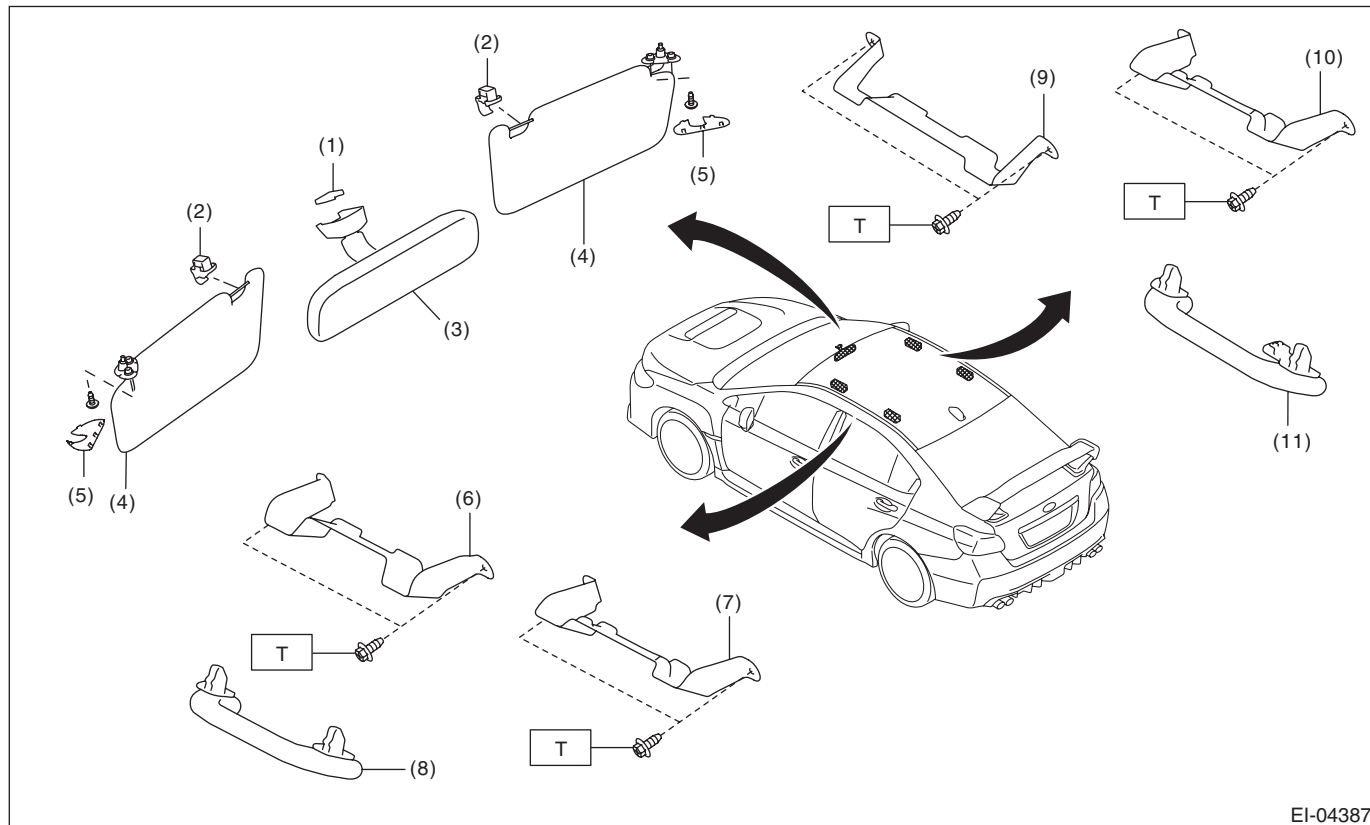
EI-04386

- | | | |
|----------------------------|--------------------------------|--------------------|
| (A) Normal roof type | (B) Sunroof type | |
| (1) Cord - roof | (3) Cord ASSY - antenna feeder | (4) Garnish - roof |
| (2) Trim panel - roof ASSY | | |

General Description

EXTERIOR/INTERIOR TRIM

20.ROOM INNER PARTS



- | | | |
|--------------------------------|--|-------------------------|
| (1) Base - inner mirror | (6) Bracket - assist rail front (model with sunroof) | (11) Assist rail - rear |
| (2) Hook - sun visor | (7) Bracket - assist rail front (normal roof) | |
| (3) Mirror ASSY rearview inner | (8) Assist rail - front | |
| (4) Sun visor ASSY | (9) Bracket - assist rail rear (model with sunroof) | |
| (5) Cap - sun visor | (10) Bracket - assist rail rear (normal roof) | |

Tightening torque: N-m (kgf-m, ft-lb)
T: 7.5 (0.8, 5.5)

B: PREPARATION TOOL

TOOL NAME	REMARKS
Clip remover	Used for removing trim. <ul style="list-style-type: none"> • KTC AP201-10A • KTC AP201-N • KTC AP203-10A • KTC AP20L-10B Or equivalent.
Clip clamp pliers	Used for removal of various clips and clamps. <ul style="list-style-type: none"> • KTC CCP-190 Or equivalent.